


||SERIES

IG-22GM

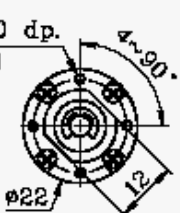
01&02 TYPE

REDUCTION RATIO	L	REDUCTION RATIO	L
1/4	14.40	1/198 ~ 1/455	25.35
1/14 ~ 1/19	18.05	1/742 ~ 1/1996	29.00
1/53 ~ 1/104	21.70		

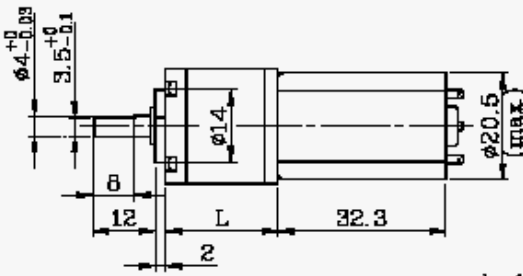


外形尺寸 APPEARANCE SIZE

4~M2x4.0 dp.
PCD $\phi 18$



$\phi 22$
12



$\phi 4.0$
3.5
 $\phi 14$
L
32.3
 $\phi 20.5$ (max)

scale: 1:1

GEARED MOTOR TORQUE/SPEED

	Reduction ratio																			
	1	1	1	1	1	1	1	1	1	1	1	1	1	1	1	1	1	1	1	1
12V	77	215	250	295	695	810	950	1100	1370	2100	2500	2500	2500	2500	2500	3000	3000	3000	3000	3000
24V	77	215	250	295	695	810	950	1100	1370	2100	2500	2500	2500	2500	2500	3000	3000	3000	3000	3000

訂購時，請告知”減速比”即可，例如 **IG-22GM-12V-1/62**

全系列：NT550 (未稅)

訂購低於 3pcs，運費 NT100 另計